

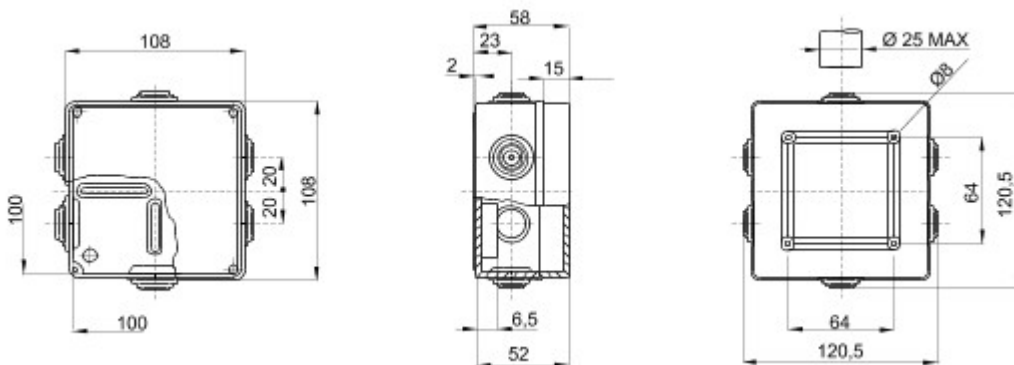


Range 44 CE - Surface-mounting watertight junction boxes in compliance with EN 60670-1 (CEI 23-48) and IEC 60670-22 (CEI 23-94) and made in high-performance technopolymers. The range includes versions with protection degree IP44, IP55, IP56 with smooth walls or with quick entry cable glands and different type of covers: blind / transparent, deep/plain, press-on/screw (in plastic, also 1/4 turn, or in metal). Available in different self-extinguishing materials (up to GWT 960 °C). Suitable for ordinary junctions, for special uses, and for industrial uses.

Classe isolamento	II (Norma IEC 61140)	Cor	Cinza RAL 7035
Grau de protecção	IP55	Material	GWPLAST 75
Resistên. golpes	IK08	Dim. internas BxHxP (mm)	100x100x50
Entradas N. furos / Ø	6 / 29	Parafusos tampa (n.-tipo)	4 isol. A 1/4 de volta
Aplicação	Derivações comuns	Glow Wire Test	650 °C
Tampa	Mediante parafuso	Temperatura de instalação	-25 +60 °C
Tipo de material	Livre halogéneos segundo EN 60754-2	Código Electrocod	02210
Termopressão com esfera	85 °C	Par de aperto Parafusos de aperto	1 Newton/metro
Paredes	Com cones	Acessórios para a restauração do isolamento	GW44622



DIMENSIONAL



TECHNICAL SYMBOLOGY



STANDARDS/APPROVALS

