

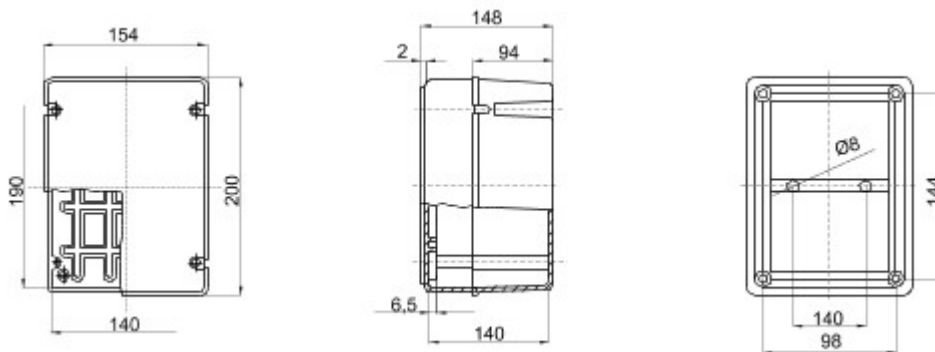


Range 44 CE - Surface-mounting watertight junction boxes in compliance with EN 60670-1 (CEI 23-48) and IEC 60670-22 (CEI 23-94) and made in high-performance technopolymers. The range includes versions with protection degree IP44, IP55, IP56 with smooth walls or with quick entry cable glands and different type of covers: blind / transparent, deep/plain, press-on/screw (in plastic, also 1/4 turn, or in metal). Available in different self-extinguishing materials (up to GWT 960 °C). Suitable for ordinary junctions, for special uses, and for industrial uses.

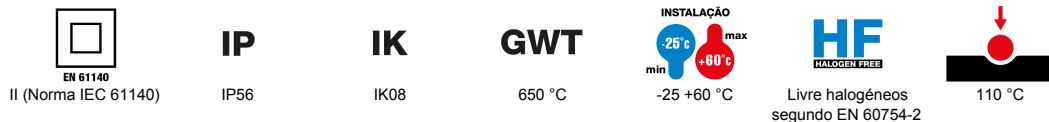
Classe isolamento	II (Norma IEC 61140)	Cor	Cinza RAL 7035
Grau de protecção	IP56	Material	GWPLAST 120
Resistên. golpes	IK08	Dim. internas BxHxP (mm)	190x140x140
Ø máx. furos executáveis	37 mm	Parafusos tampa (n.-tipo)	4 isol. com dobradiça selável
Aplicação	Usos industriais	Glow Wire Test	650 °C
Cor da tampa	Transparente	Tampa	Alta parafuso
Temperatura de instalação	-25 +60 °C	Tipo de material	Livre halogéneos segundo EN 60754-2
Código Electrocod	0231	Termopressão com esfera	110 °C
Par de aperto Parafusos de aperto	1.8 Newton/metro	Paredes	Lisas
Acessórios para a restauração do isolamento	GW44621, GW44622		



DIMENSIONAL



TECHNICAL SYMBOLOGY



STANDARDS/APPROVALS

