

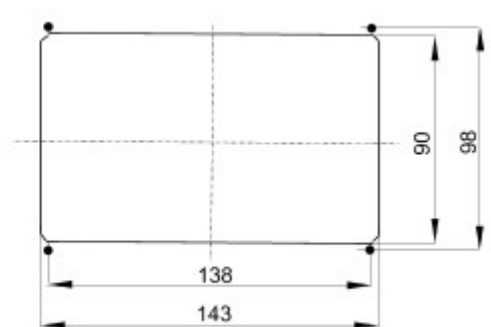
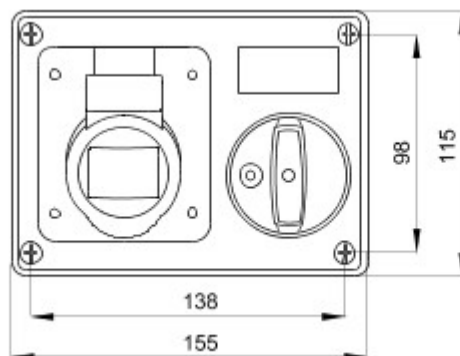
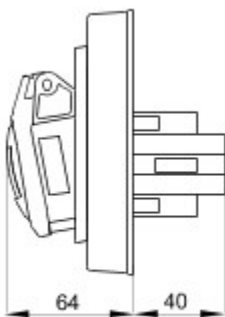


Industrial-type socket-outlets conforming to IEC 309 Standard, with mechanical interlock consisting of a circuit breaker enabling the plug to be connected and disconnected only in the open position, and the switch to close only with the plug inserted. Wide range including models with rotary switch and fuseholder base, AUTOMATIKA with 6kA C characteristic miniature circuit breaker, and version with safety transformer. High application versatility thanks to the possibility of assembly in back-mounting and flush-mounting boxes, and boards of the 68 Q-DIN and Q-MC ranges.

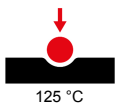
Tipologia	Horizontal	Termopressão com esfera	125 °C
Grau de protecção	IP44	N. pólos	3P+N+T
Resistên. golpes	IK08	Frequência	50/60 Hz
Temperatura de uso	-25 +40 °C	Protecção	NO (SBF)
Com fundo	No	Código Electrocod	2220
Teste de fio incandescente	850 °C (partes ativas) - 650 °C (partes passivas)	Cor	Vermelho
Corrente nominal (A)	32	Referência h	6
Tensão nominal	380-415 V		



### DIMENSIONAL



### TECHNICAL SYMBOLOGY



125 °C

**IP**

IP44

**IK**

IK08



-25 +40 °C

**GWT**

850 °C (partes ativas)  
- 650 °C (partes passivas)

### STANDARDS/APPROVALS

