

Limit Switches

Series 3SX5-ME

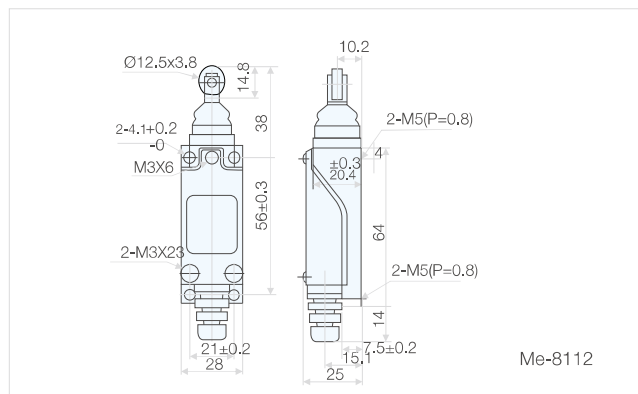
Applicable range

Limit switches are ideal electrical control switches. They feature compact structure, nice appearance, excellent performance, reliable action, easy installation, operation, maintenance and adjustment. At Sassin we have a variety of limit switches so you can find the limits witch that fits your individual needs.

The switches are applicable to AC control circuits of 50 to 60 Hz, with a voltage up to 500 V or DC control circuits with a voltage up to 250 V, and a current up to 15 A to convert a mechanical signal into an electrical signal for the purpose of controlling mechanical movement or performing sequential control.

4

Load	Resisting load	Induced load
AC 125 V	5 A	3 A
AC 250 V	5 A	2 A
DC 115 V	0.4 A	0.1 A



ME-8111 ME-8122 ME-8112



ME-8104 ME-9101 ME-8108



ME-8107 ME-8166 ME-8169

Characteristics

Initial contact resistance, max 15 m Ω (Initial insulation resistance) at 500 V DC	By voltage drop 6 or 8 V DC at rated current (min) 100 m Ω
Initial breakdown voltage	1,000 Vrms for 1 min between non-consecutive terminals 2,000 Vrms for 1 min Between dead metal parts and each terminal 2,000 Vrms for 1 min Between ground and each terminal
shock resistance max.	In the free position 10 G In the operating position 30 G
Vibration resistance	Standard type (max) 55 Hz
Life (min. operations)	Mechanical 10^7 (at 120 cpm) Electrical 3×10^5 , at rated resistive load of AC 5 A 3×10^6 , at magnetic contactor load of 200 V AC
Ambient temperature	-20 to + 60 °C - 4 to + 140 °C
Ambient humidity	< 95%
Degree of protection	IP64

Type	LJW8-8104 AZ-8104	LJW8-8108 AZ-8108	LJW8-8107 AZ-8107	LJW8-8111 AZ-8111	LJW8-8112 LJW8-8122 AZ-8112 AZ-8122	LJW8-8166 LJW8-8169 LJW8-8200 AZ-8166 AZ-8169 AZ-8200
Operation speciality						
OF (max)	750 g	750 g	750 g	900 g	900 g	150 g
RF (min)	100 g	100 g	100 g	150 g	150 g	-
PT	20°	20°	20°	1.5 mm	1.5 mm	30 mm
OT (min)	50°	50°	50°	4 mm	4 mm	-
MD (max)	12°	12°	12°	1 mm	1 mm	-
OP	-	-	-	26 $\pm 0,8$ mm	37 $\pm 0,8$ mm	-