

ELINEDK-GRM IP



▶▶ IP66 WATERPROOF PLASTIC GROMMET ▶ IP66 Multifunctional Outlet (Socket) Box

- 4 Module Socket Capacity
- $\varnothing 205/h=67\text{mm}$
- Raised floor and under screed application options

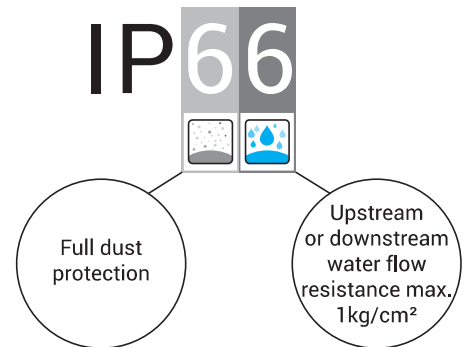
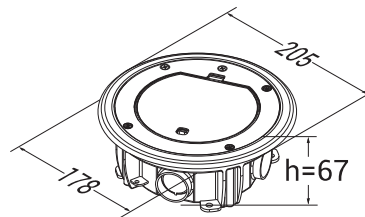
Plastic material used is PC-ABS; which is "halogen free" and has met 690°C glow wire test conditions as per IEC 60965 and in V2 fire resistance class according to UL94 standard.



▶ General Structure



| Description | Order Codes | | | |
|--|-------------|-----------|---------|---------|
| | Grey | Dark Grey | Brown | Black |
| IP66 Plastic Grommet Outlet Box, 4 Modules, Complete | 3087076 | 3122666 | 3087078 | 3087079 |



▶ Socket Capacity

New Generation small size IP66 Plastic Grommet that meets Mains, UPS, Data and Telephone needs. Versatile use structure with 4 Modules capability.

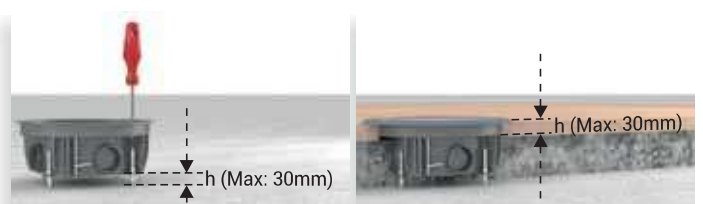


▶ Under screed application

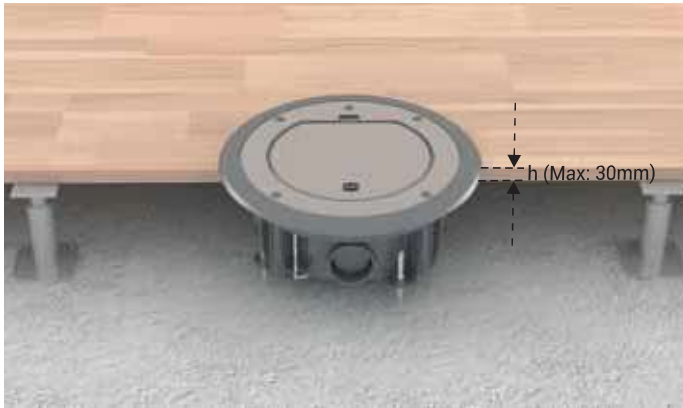
The "Styrofoam" material used in the bottom enclosure blocks screed leakage.



▶ Height Adjustment (Screed Application)



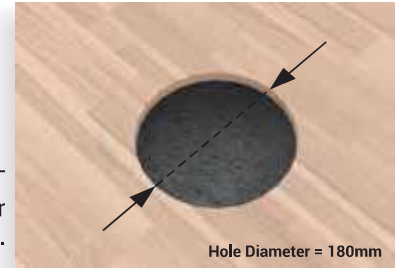
Note: Please contact us for other size requirements.



► Raised Floor Installation

Max. layout thickness is 30 mm.

IP66 PLASTIC GROMMET
raised floor
hole diameter is 180 mm.



► Protected Outlet Window

Cover design with cable protection mechanism that can withstand standing weight of a person.



► Easy Lock Design

The handle system with practical handling feature that eases opening and closing of the cover.



Raised Floor or Under Screed Waterproof (IP66) Grommet

